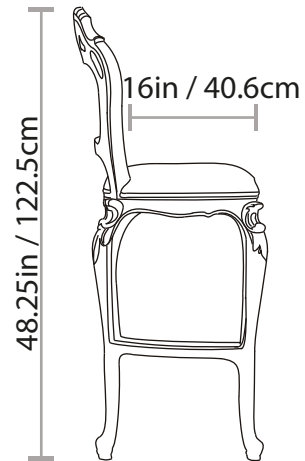
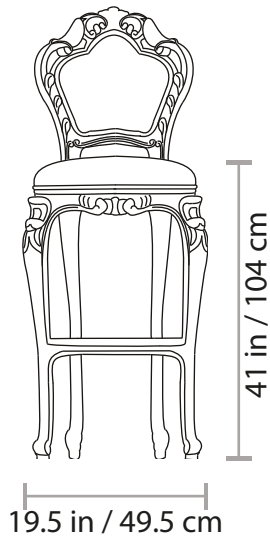


## 762P PLASTIC BAR STOOL



Aproximated weight  
28.6 Lb / 13 Kg

All of our items are made of polyurethane with an internal steel frame, they are as durable as they are gorgeous. Lead time: 6-8 weeks. All our products are custom-made, please allow the time needed to make this happen. All sizes are approximate.

[info@polartdesigns.com](mailto:info@polartdesigns.com) [www.polartdesigns.com](http://www.polartdesigns.com)

AyC Internacional S.A. de C.V. CIN950186Q0, Calle 7 #350 Industrial Aviacion,  
San Luis Potosi, S.L.P. Mexico, Zip 78140, USA: +1.956.765.2760 , MEXICO: +52.444.811.3334.