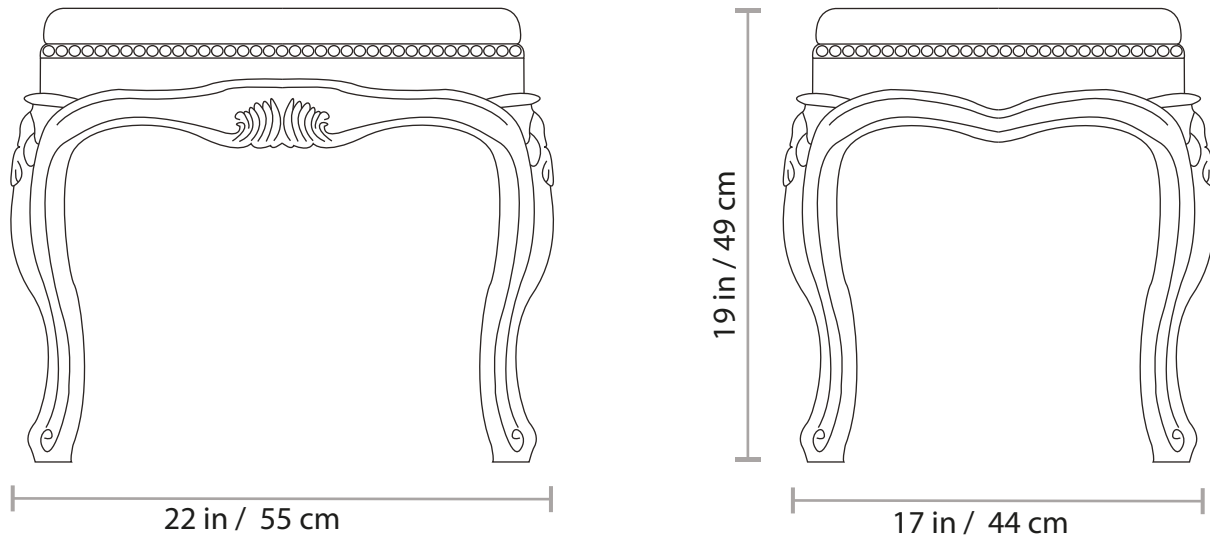


701T OTTOMAN



Approximate weight
18 Lb / 8 KG

All of our items are made of polyurethane with an internal steel frame, they are as durable as they are gorgeous. Lead time: 6-8 weeks. All our products are custom-made, please allow the time needed to make this happen. All sizes are approximate.

info@polartdesigns.com www.polartdesigns.com

A y C Internacional S.A. de C.V. CIN9510186Q0, Calle 7 #350 Industrial Aviacion,
San Luis Potosi, S.L.P. Mexico, Zip 78140, USA: +1.956.765.2760 , MEXICO: +52.444.811.3334.