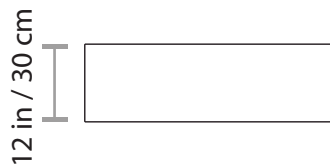
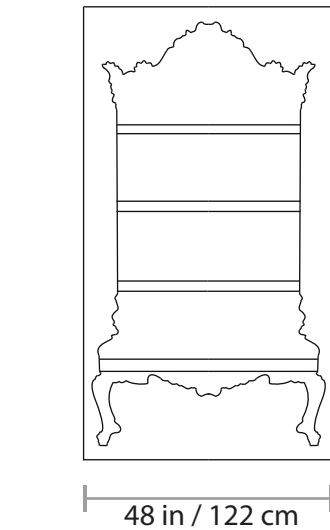


4401A BOOKCASE



Approximate weight
141 Lb / 64 Kg

All of our items are made of polyurethane with an internal steel frame, they are as durable as they are gorgeous. Lead time: 6-8 weeks. All our products are custom-made, please allow the time needed to make this happen. All sizes are approximate.

info@polartdesigns.com www.polartdesigns.com